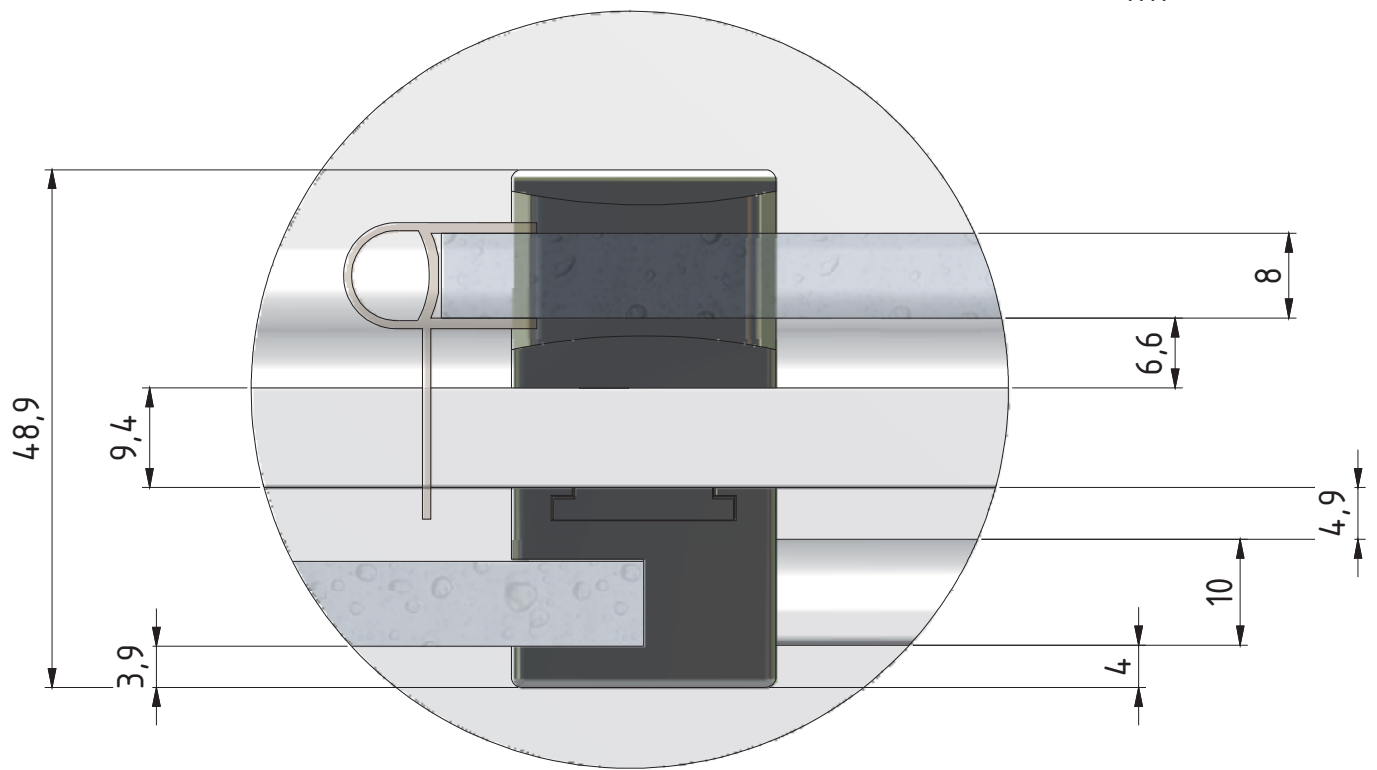


III.



AMD2	Y (mm)	
	MIN	MAX
1200	1100	1200
1300	1200	1300
1400	1300	1400
1500	1400	1500
1600	1500	1600
1700	1600	1700
1800	1700	1800