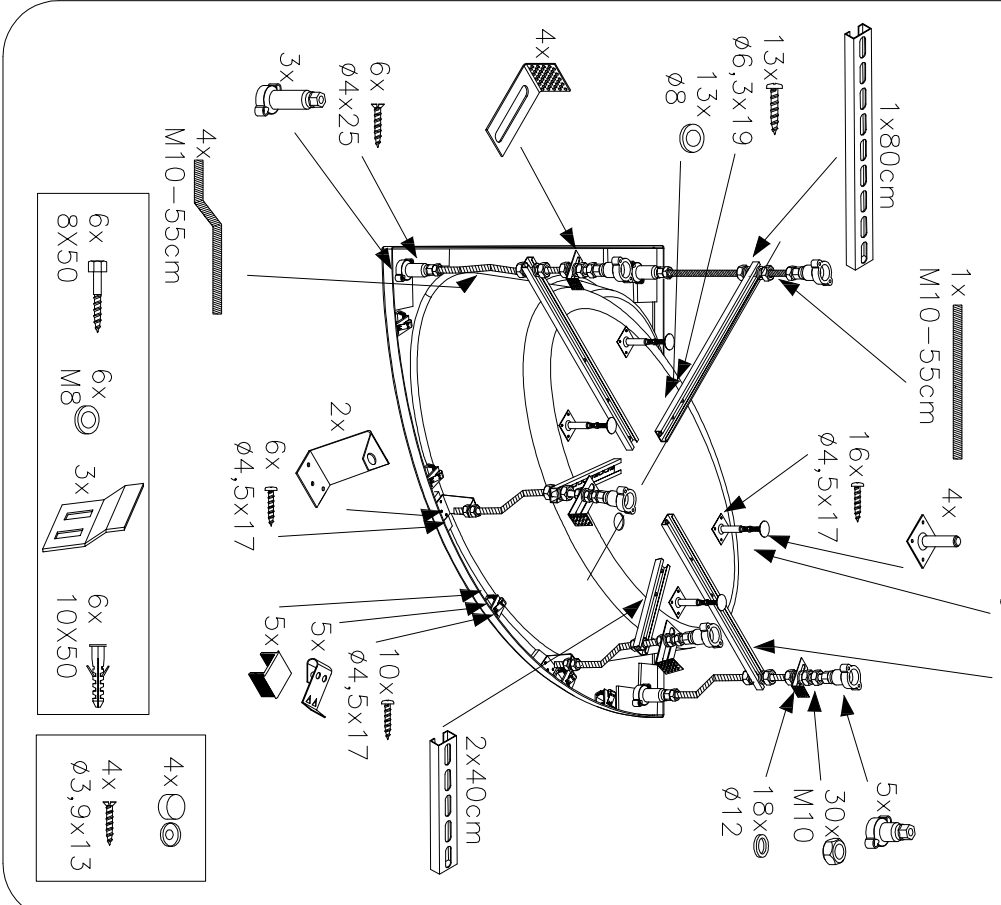
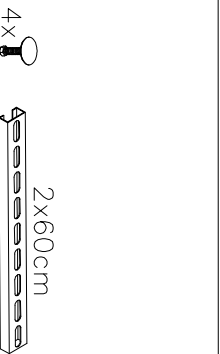
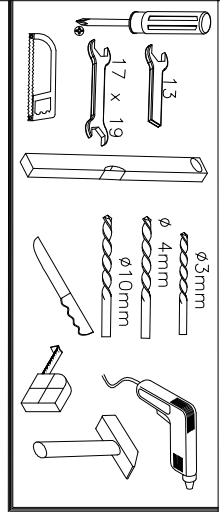
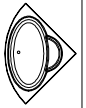
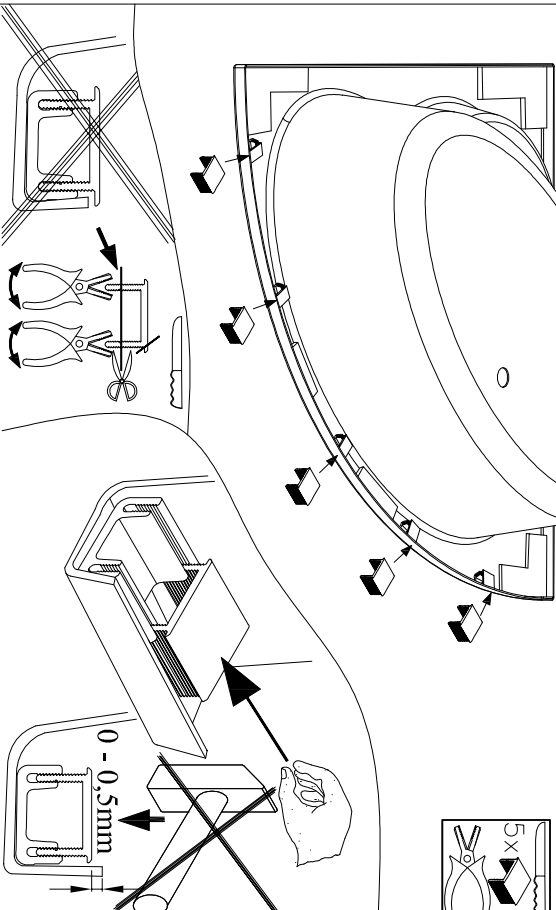


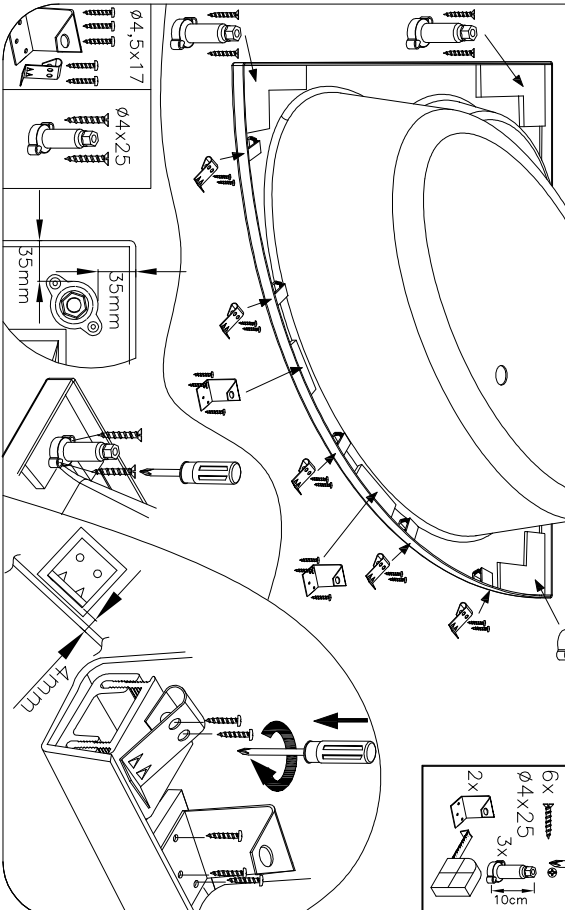
**CK120 - 150**



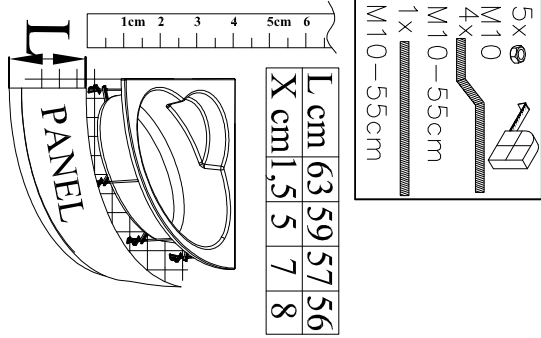
**STEP 1**



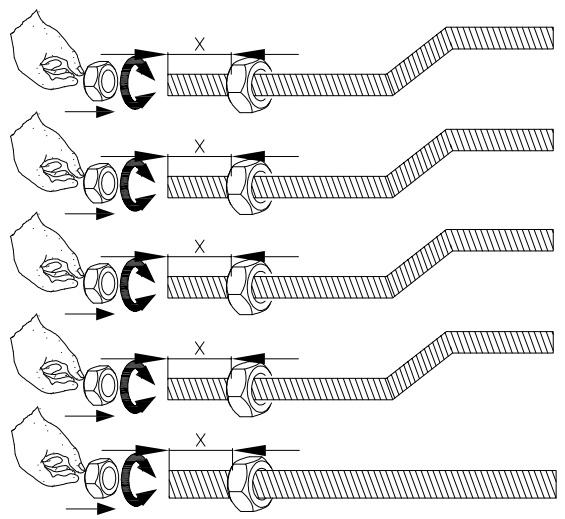
**STEP 2**



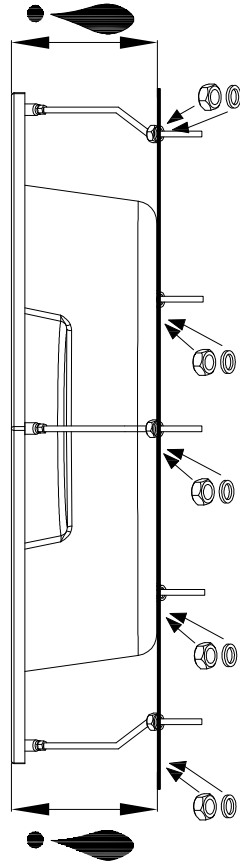
**STEP 3**



- 5x M10
- 4x M10-55cm
- 1x M10-55cm

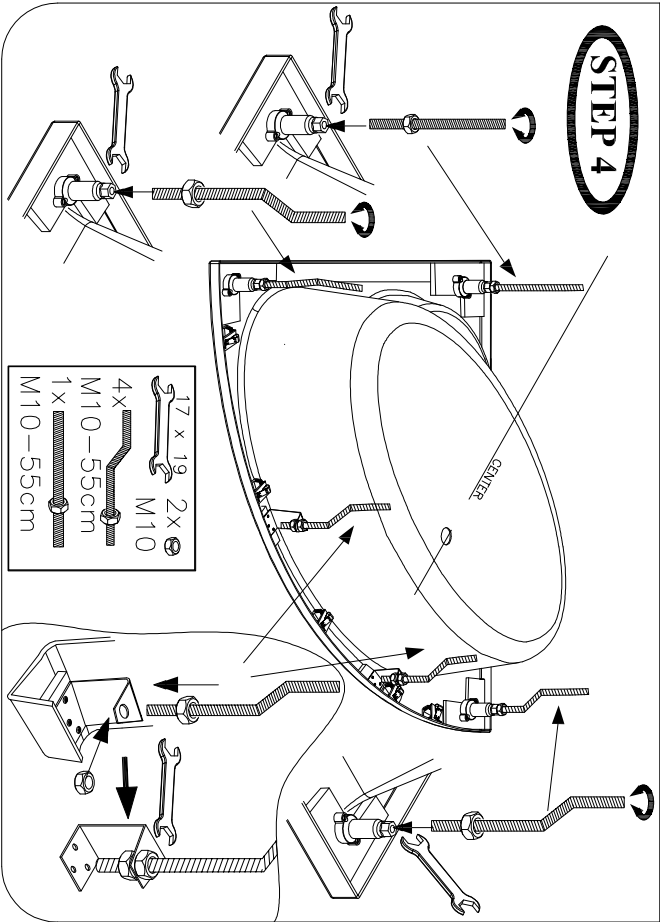


**STEP 5**



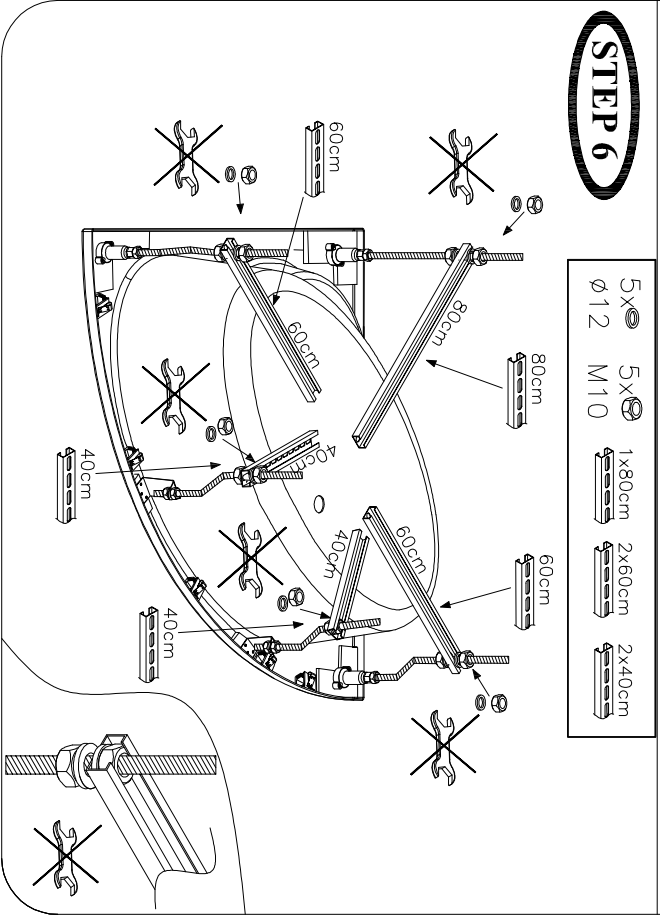
- 5x  $\phi$ 12
- 5x M10

**STEP 4**



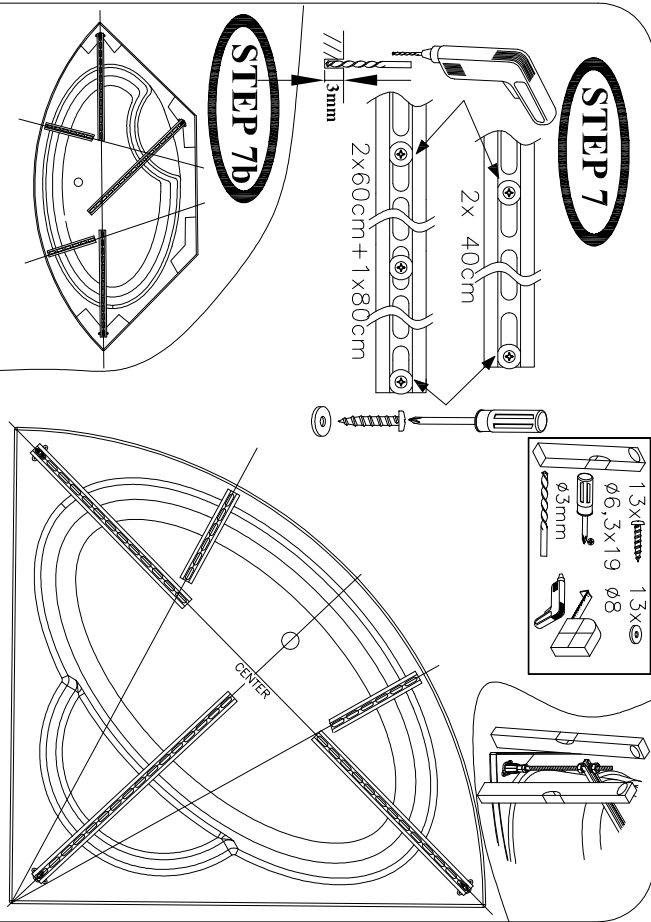
- 17 x 19 2x M10
- 4x M10-55cm
- 1x M10-55cm

**STEP 6**

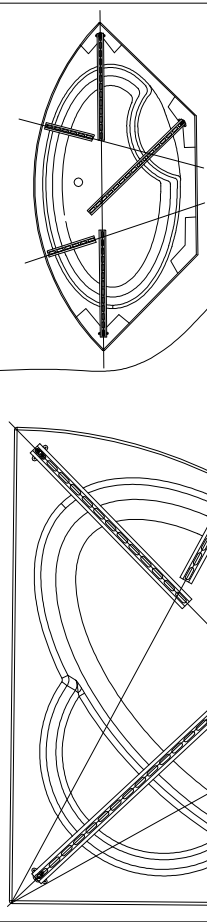


- 5x  $\phi$ 12
- 5x M10
- 1x 80cm
- 2x 60cm
- 2x 40cm

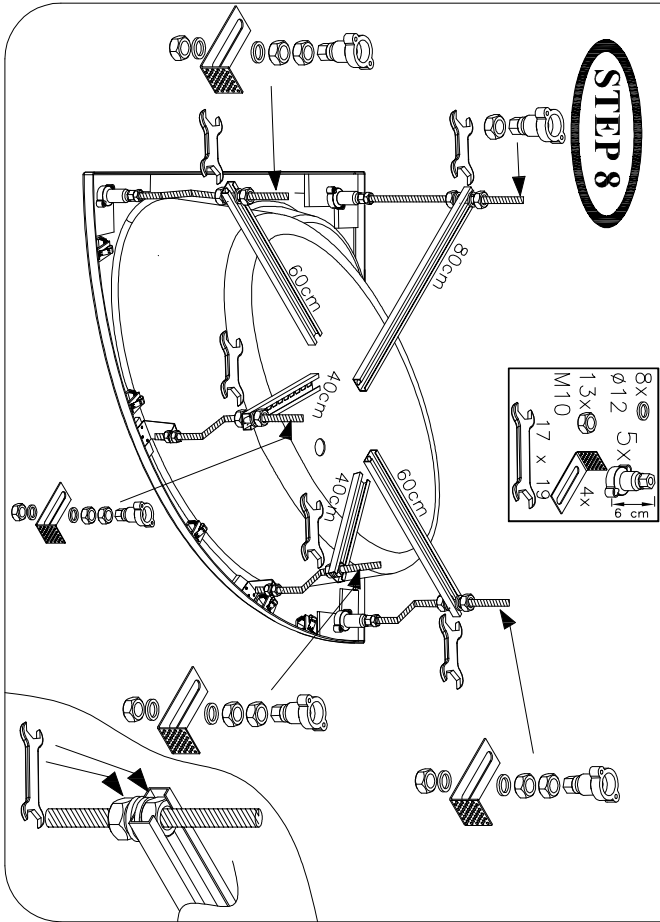
**STEP 7**



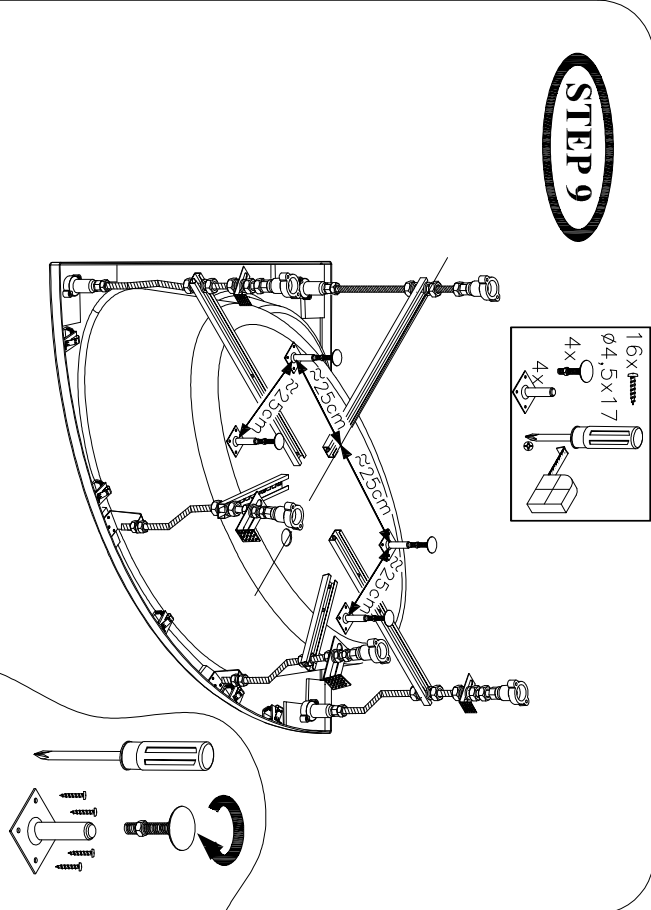
**STEP 7b**



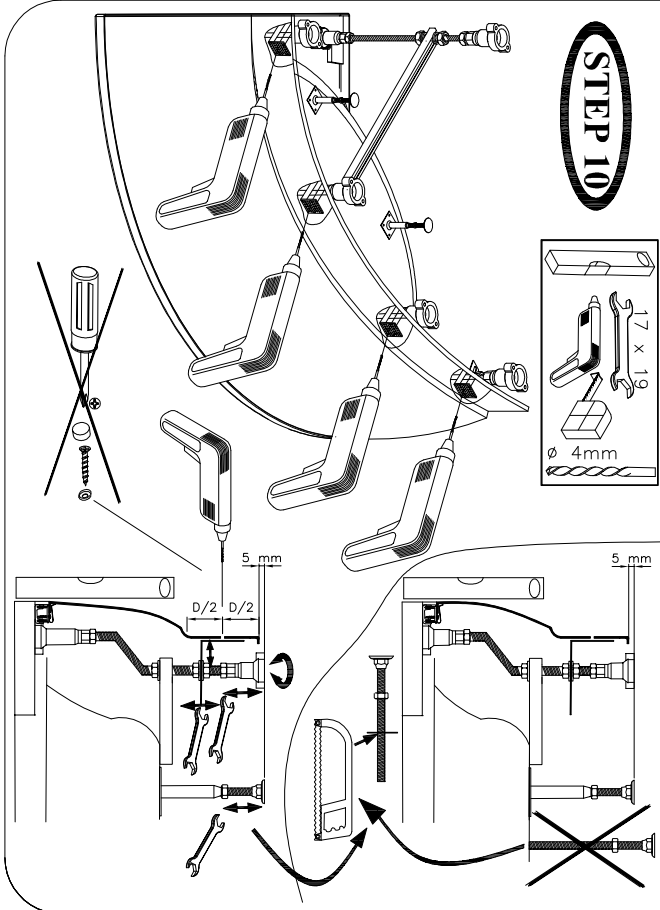
**STEP 8**



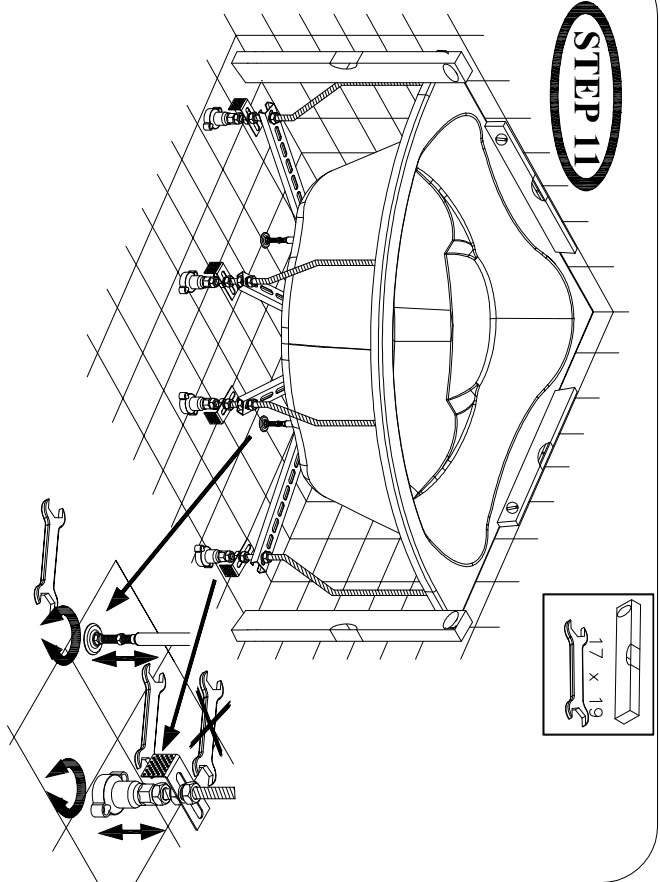
**STEP 9**



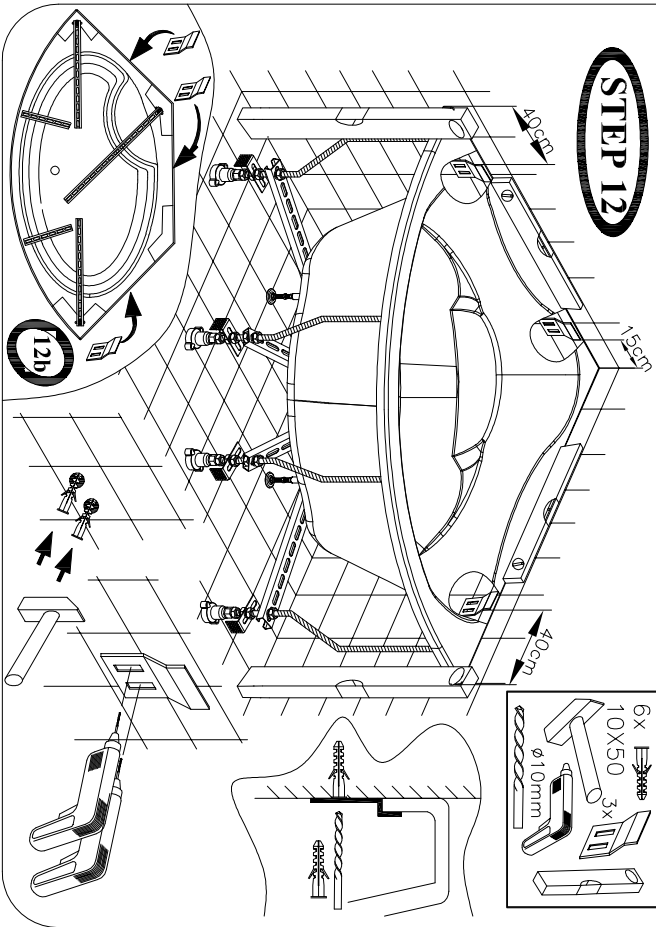
**STEP 10**



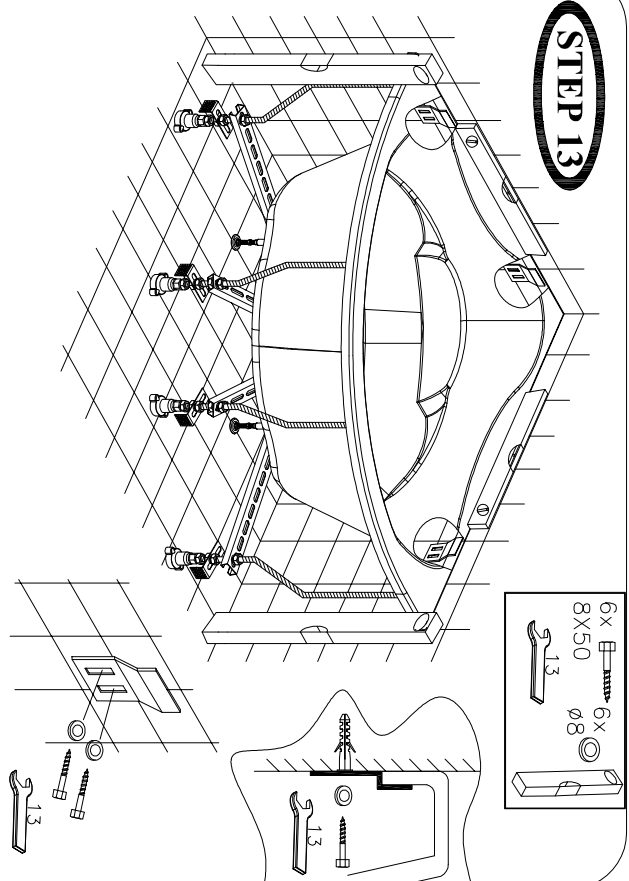
**STEP 11**



**STEP 12**



**STEP 13**



**STEP 14**

